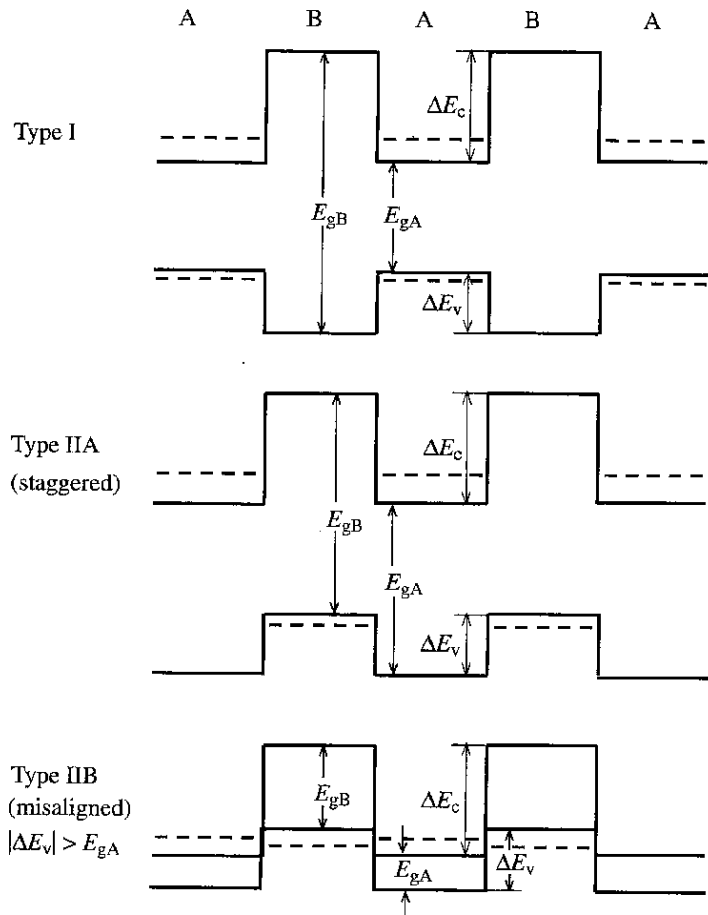
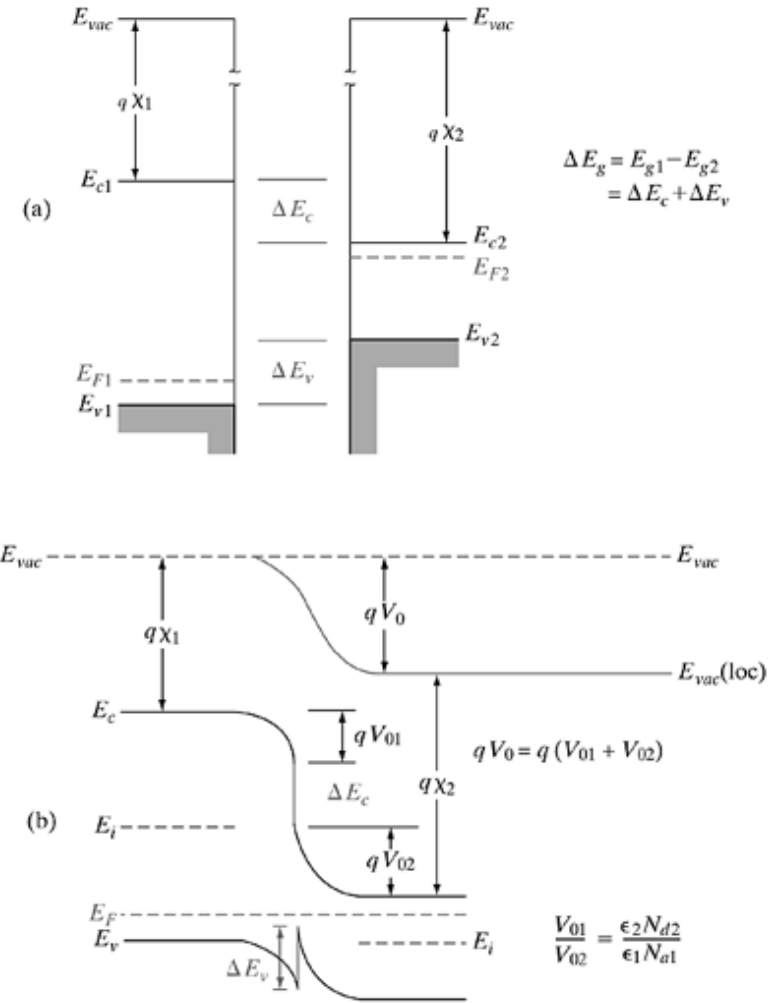


9.2.2 Classification of Multiple Quantum Wells and Superlattices



Anderson affinity rule for heterojunctions



9.2.3. Confinement of Electrons and Holes

Consider a finite square well as a model for QW:

