

6

5

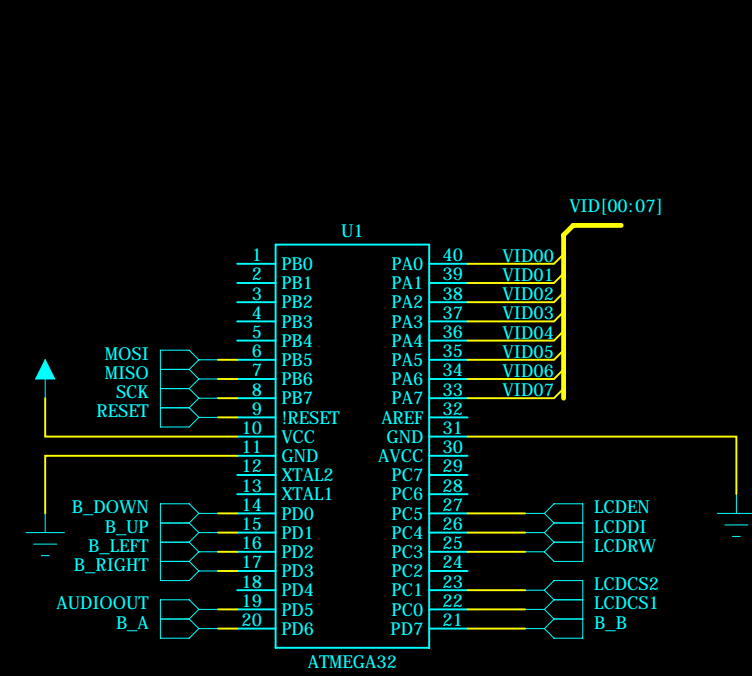
4

3

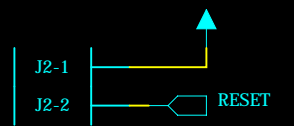
2

1

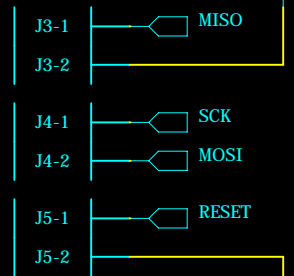
REVISION RECORD			
LTR	ECO NO:	APPROVED:	DATE:



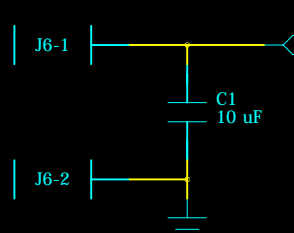
Power on / SPI operation jumper



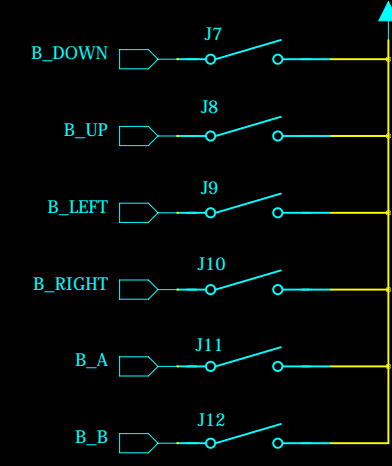
SPI connector (3x2)



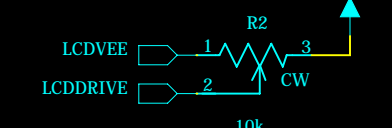
Audio jack connector



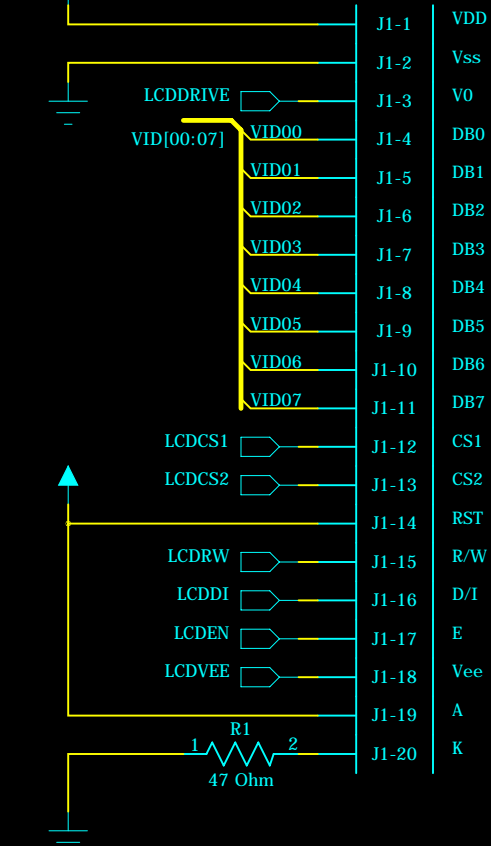
Buttons



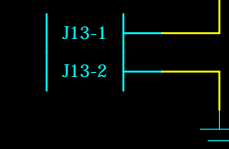
LCD contrast adjustment pot



Video connector



Power connect



COMPANY: **ass hat designs**

TITLE: **GameToy Rev 1**

DRAWN: <b>Jari Komppa</b>	DATED: <b>17.12.2006</b>
CHECKED:	DATED:
QUALITY CONTROL:	DATED:
RELEASED:	DATED:

CODE:	SIZE: <b>B</b>	DRAWING NO: <b>1</b>	REV: <b>1</b>
SCALE:		SHEET: 1 OF 1	